



## SKI-DOO KIT - Passenger Seat

Product: **Ski-Doo**

Project no: **487803166**

Instruction Sheet P/N: **487803166**

Revision no:

Revision date:

Item covered: **Passenger Seat**

The following symbols may be used in this document:



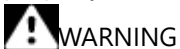
WARNING

Indicates a hazardous situation which, if not avoided, could result in death or serious injury.



CAUTION: Indicates a hazard situation which, if not avoided, could result in minor or moderate injury.

NOTICE Indicates an instruction which, if not followed, could severely damage vehicle components or other property.



WARNING

- This kit is designed for specific applicable models only (authorized BRP dealers will confirm model(s)). It is not recommended for units other than the one (those) for which it was sold.
- Should removal of a locking device (e.g. lock tabs, self-locking fasteners, etc.) be required when undergoing disassembly/assembly, always replace with a new one.
- Torque wrench tightening specifications must strictly be adhered to.
- Unless otherwise specified, engine must be OFF when performing any operation on the vehicle.



WARNING

Some important safety information and/or operating instructions dedicated to the end user might be included in this instruction sheet. Make sure to give the kit part number as well as the instruction sheet included with this kit to the customer. Verify that the customer has access to all the information required for proper use of the accessory.

NOTE: USE TIGHTENING TORQUES IN THE FOLLOWING TABLE IF NOT OTHERWISE SPECIFIED.

	GRADE			
	5.8	8.8	10.9	12.9
M4	1.8 ± 0.2 N•m (16 ± 2 lbf•in)	2.8 ± 0.2 N•m (25 ± 2 lbf•in)	3.8 ± 0.2 N•m (34 ± 2 lbf•in)	4.5 ± 0.5 N•m (40 ± 4 lbf•in)
M5	3.3 ± 0.2 N•m (29 ± 2 lbf•in)	5 ± 0.5 N•m (44 ± 4 lbf•in)	7.8 ± 0.7 N•m (69 ± 6 lbf•in)	9 ± 1 N•m (80 ± 9 lbf•in)
M6	7.5 ± 1 N•m (66 ± 9 lbf•in)	10 ± 2 N•m (89 ± 18 lbf•in)	12.8 ± 2.2 N•m (113 ± 19 lbf•in)	16 ± 2 N•m (142 ± 18 lbf•in)

M8	15.3 ± 1.7 N•m (135 ± 15 lbf•in)	24.5 ± 3.5 N•m (18 ± 3 lbf•ft)	31.5 ± 3.5 N•m (23 ± 3 lbf•ft)	40 ± 5 N•m (30 ± 4 lbf•ft)
M10	29 ± 3 N•m (21 ± 2 lbf•ft)	48 ± 6 N•m (35 ± 4 lbf•ft)	61 ± 9 N•m (45 ± 7 lbf•ft)	73 ± 7 N•m (54 ± 5 lbf•ft)
M12	52 ± 6 N•m (38 ± 4 lbf•ft)	85 ± 10 N•m (63 ± 7 lbf•ft)	105 ± 15 N•m (77 ± 11 lbf•ft)	128 ± 17 N•m (94 ± 13 lbf•ft)
M14	85 ± 10 N•m (63 ± 7 lbf•ft)	135 ± 15 N•m (100 ± 11 lbf•ft)	170 ± 20 N•m (125 ± 15 lbf•ft)	200 ± 25 N•m (148 ± 18 lbf•ft)
M16	126 ± 14 N•m (93 ± 10 lbf•ft)	205 ± 25 N•m (151 ± 18 lbf•ft)	255 ± 30 N•m (188 ± 22 lbf•ft)	305 ± 35 N•m (225 ± 26 lbf•ft)
M18	170 ± 20 N•m (125 ± 15 lbf•ft)	273 ± 32 N•m (201 ± 24 lbf•ft)	330 ± 25 N•m (243 ± 18 lbf•ft)	413 ± 47 N•m (305 ± 35 lbf•ft)

The illustrations in this document show typical construction of the different assemblies and may not reproduce the full detail or exact shape of the parts; however, they represent parts that have the same or similar function.

Installation time is approximately 0.1 hour.

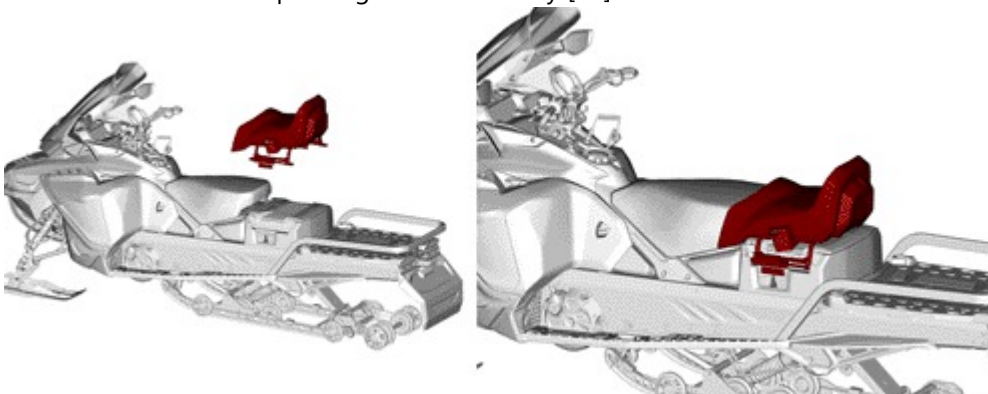
parts to be installed

ITEM	DESCRIPTION	Part number	QTY
P1	Passenger seat assembly	Not available separately	1
P2	Passenger hand hold kit	Not available separately	1
P3	English warning label	516009857	2
	Pictogram warning label	516009858	2
P4	M8x35 Torx Truss screw	250000753	4

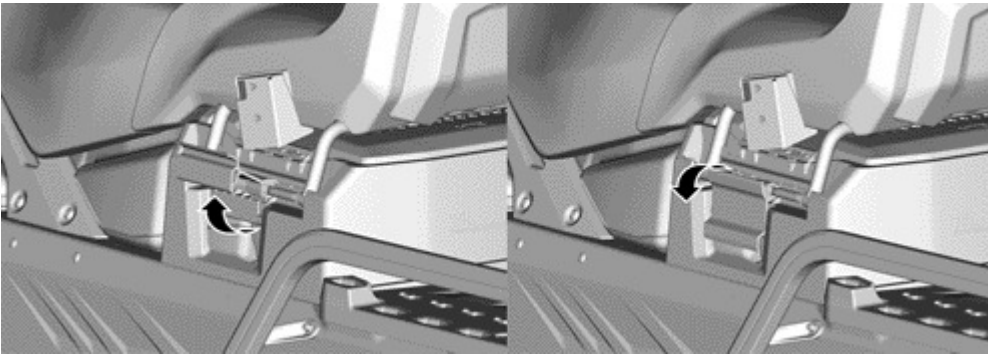
instructions

Part Installation

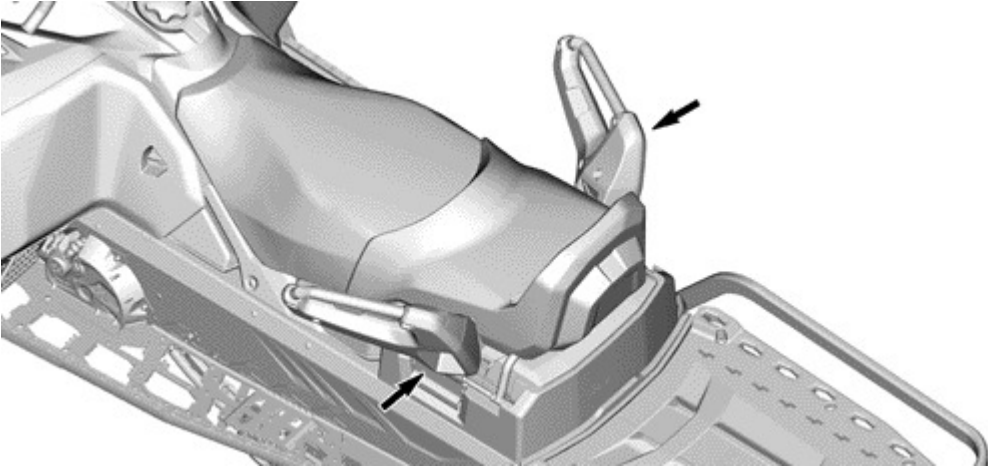
1. Place the base of the passenger seat assembly [P1] in the reinforcement of the storage compartment.



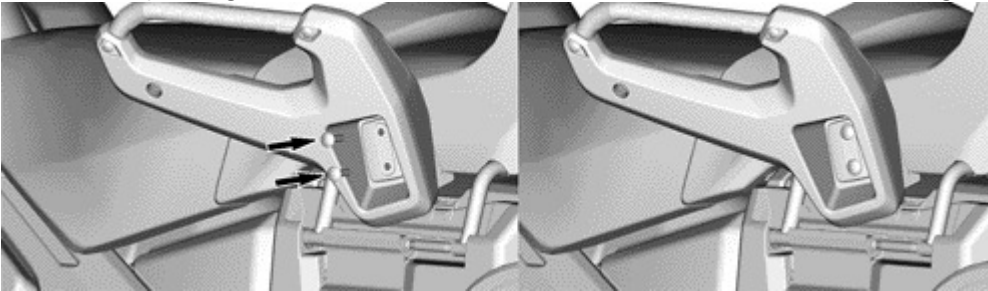
2. Close the latches.



3. Install the passenger hand hold kit [P2] on the side of the passenger seat assembly [P1].



4. Screw the passenger hand hold kit [P2] with four M8x35 Torx truss screw [P4]. Tighten to specification.

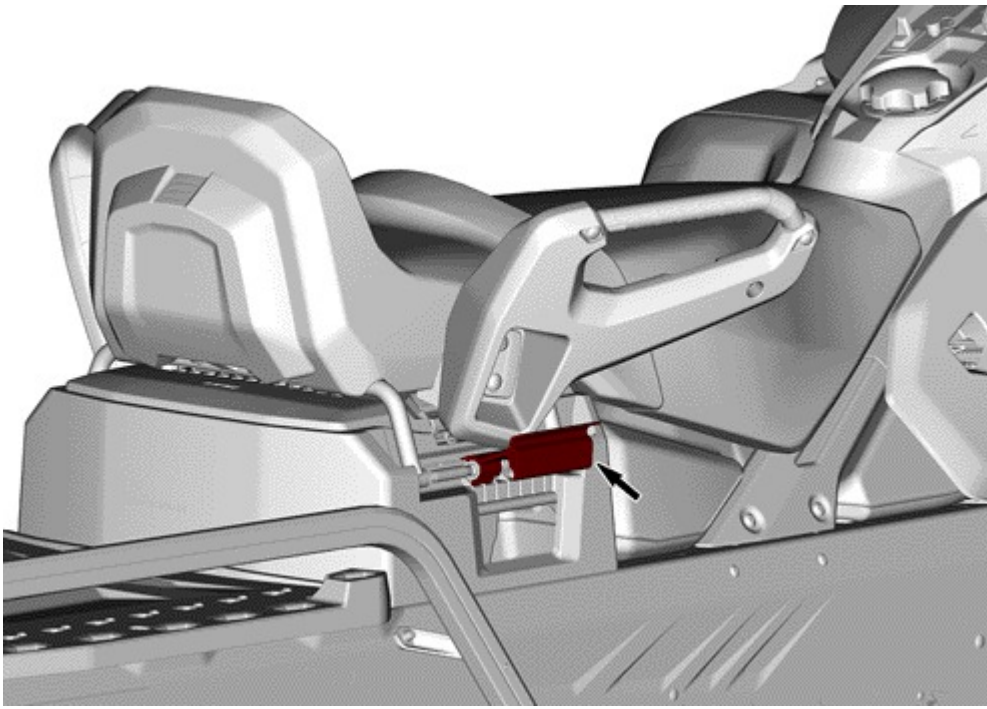


#### **tightening torque**

M8x35 Torx truss screw [P4]     $7.5 \pm 1 \text{ N}\cdot\text{m}$  ( $66 \pm 9 \text{ lbf}\cdot\text{in}$ )

To have access to the storage compartment

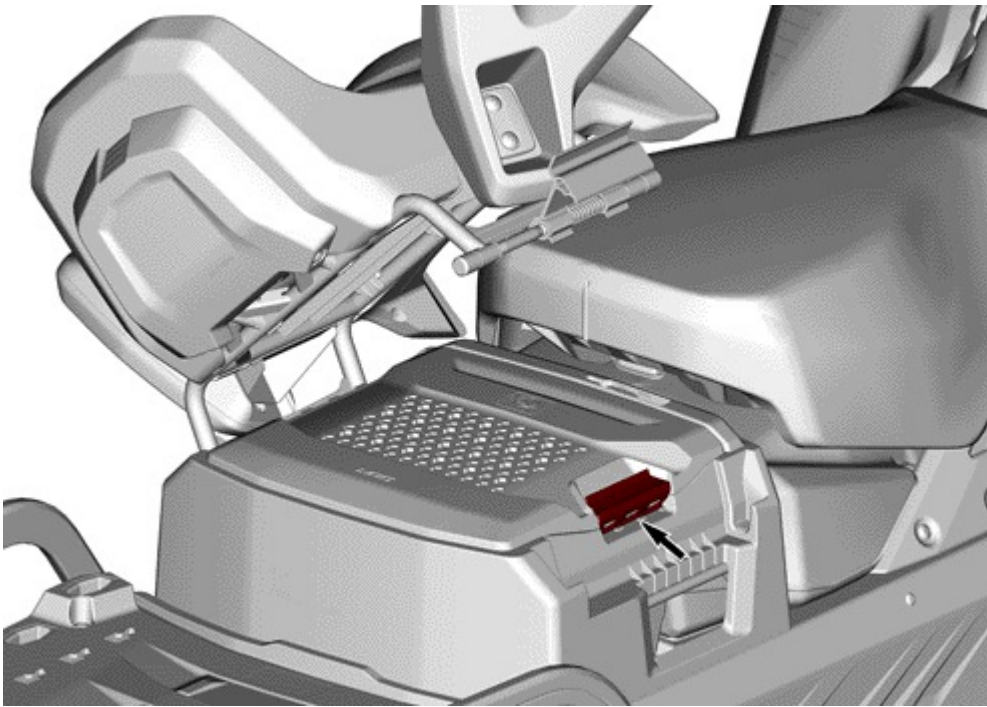
1. Open the right latches of the passenger seat assembly [P1].



2. Rotate the passenger seat towards the left side of the vehicle.



3. Open the latches of the storage compartment.



### Safety Label

This product comes with the following label containing important safety information.

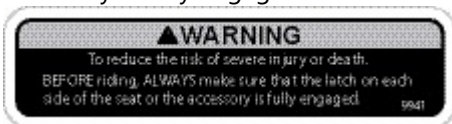
The label should be considered a permanent part of this product. If the label come off or become hard to read, please contact an authorized dealer for FREE OF CHARGE replacement.

Any person who intend to use this product should read and understand the information contained on the label before doing so.



**WARNING**

To reduce the risk of severe injury or death. Before riding, ALWAYS make sure that the latch on each side of the seat or accessory is fully engaged.



A Pictogram warning label is also available in the kit and must be installed in accordance with client preference.

To install the pictogram safety label, do the following:

- Clean the entire original label surface and dry thoroughly.
- Carefully install the pictogram safety label OVER the original label.

